



SMM1205B SERIES ~

SMT Common Mode Chokes

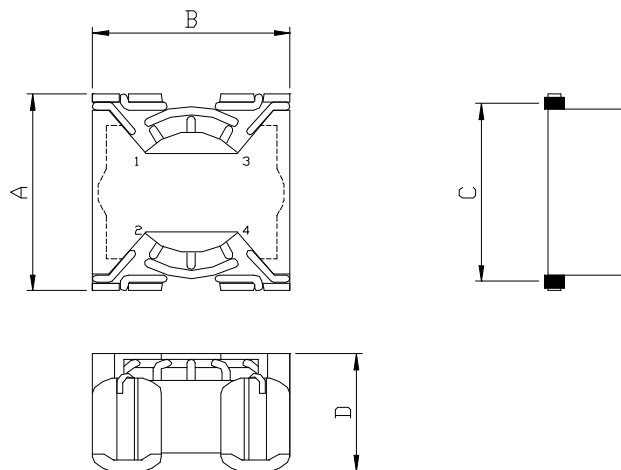


PART NUMBERING SYSTEM

SMM	1205B	—	112	—	LF
TYPE	DIMENSIONS		IMPEDANCE		LEAD FREE

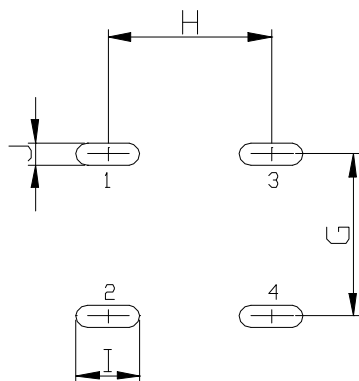
SHAPES AND DIMENSIONS

UNIT : mm



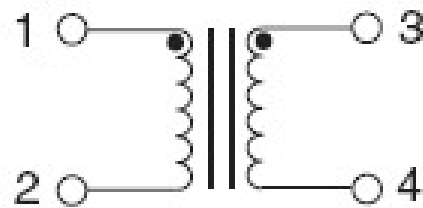
A= 12.7 Max. B= 15.0 Max. C= 8.38 Max. D= 6.00 Max.

PCB LAYOUT



G= 10.41 H= 8.40 I= 4.45 J= 1.52 Ref.

SCHEMATIC DRAWING





SMM 1205B SERIES ~

SMT Common Mode Chokes



FEATURES

1. **Exceptionally low DC resistance** thanks to the use of heavier gauge wire
2. Solutions based on impedance , size and current
3. Designed for DC-DC Converters
4. Wide Variety of inductor sizes and current ratings available
5. Dielectric strength : **1000Vrms** .
6. **RoHS-compliant**. 260°C compatible. Tin-silver over copper terminations

SPECIFICATION TABLE

PART NUMBER	INDUCTANCE (mH)	I _{rated} (A)	DCR (mΩ) (Max.)	Test Frequency
SMM1205B-881-LF	0.88±35%	0.90	110	100KHz / 0.1V
SMM1205B-112-LF	1.17±35%	0.50	200	100KHz / 0.1V

- Inductance is measured with a LCR meter 4284A or equivalent.
- Operating temperature range -40°C to +85°C .
- Electrical specifications at 25°C .
- Packing : 13" reel, machine-ready ,embossed plastic tape (600 parts per full reel).